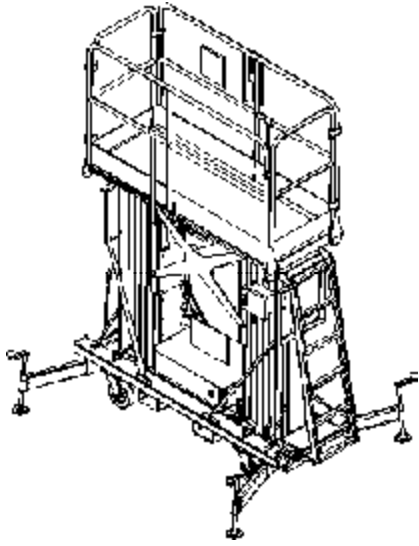


Genie DPL Super Series Specifications

Dual Personnel Lift



STANDARD FEATURES

- Designed to fit through standard 32 in (81 cm) doorway
- AC or DC power options
- Auxiliary platform lowering feature
- Tie-down attachment points on each corner
- Swivel-lock casters
- Angled entry ladder
- Locking key switch
- AC wiring to platform
- Meets or exceeds ANSI A-92.3, CE and CSA standards

SPECIFICATIONS

MODEL	DPL-25S		DPL-30S		DPL-35S	
	US	Metric	US	Metric	US	Metric
Height - working	31 ft 4 in	9.55 m	36 ft	11 m	40 ft 9 in	12.4 m
Height - platform	25 ft 4 in	7.7 m	30 ft	9.14 m	34 ft 9 in	10.6 m
Height - stowed	78 in	1.98 m	78 in	1.98 m	78 in	1.98 m
Width	31 ½ in	80 cm	31 ½ in	80 cm	31 ½ in	80 cm
Length - stowed	81 ¾ in	2.08 m	81 ¾ in	2.08 m	81 ¾ in	2.08 m
Platform - length	72 in	1.83 m	72 in	1.83 m	72 in	1.83 m
- width	27 ½ in	70 cm	27 ½ in	70 cm	27 ½ in	70 cm
Power source	12V DC or 220V or 115V AC		12V DC or 220V or 115V AC		12V DC or 220V or 115V AC	
Shipping weight						
AC	1,375 lb	624 kg	1,475 lb	669 kg	1,575 lb	714 kg
DC	1,450 lb	658 kg	1,550 lb	703 kg	1,650 lb	748 kg
Maximum lift capacity						
ANSI (Domestic)	750 lb	340 kg	750 lb	340 kg	600 lb	272 kg
CE (European)	750 lb	340 kg	750 lb	340 kg	600 lb	272 kg
CSA (Canadian)	600 lb	272 kg	600 lb	272 kg	500 lb	227 kg

FOOTPRINT SPECIFICATIONS

Model	Footprint Length		Footprint Width		Corner Access	Wall Access Front	Wall Access Side
	in	m	in	m	in cm	in cm	in cm
ANSI and CE Indoor							
DPL-25S	82	2.08	56 ½	1.44	17 43	7 18	16 41
DPL-30S	86 ¼	2.19	68 ¾	1.75	24 61	9 23	22 56
DPL-35S	86 ¼	2.19	68 ¾	1.75	24 61	9 23	22 56
CSA							
DPL-25S	89	2.26	76 ¼	1.94	29 74	11 28	27 69
DPL-30S	93	2.36	86	2.18	34 86	13 33	31 79
DPL-35S	93	2.36	86	2.18	34 86	13 33	31 79

Genie Industries

USA 18340 NE 76th Street
P.O. Box 97030
Redmond, Washington 98073-9730
Telephone (425) 881-1800
Toll Free USA/Canada 800-536-1800
Fax (425) 883-3475
<http://www.genielift.com>

UK The Maltings, Wharf Road
Grantham
Lincolnshire NG31 6BH
Telephone (44) 01476-584333
Fax (44) 01476-584334
<http://www.genielift.com>

Continuous improvement of our products is a Genie policy. Product specifications are subject to change without notice or obligation. The drawings in this brochure are for illustrative purposes only. Refer to the appropriate Genie DPL Super Series Operator's Manual for instructions on the proper use of this equipment. Failure to follow the appropriate Operator's Manual when using a Genie DPL Super Series, or to otherwise act irresponsibly, may result in serious injury or death. Copyright © 1997 by Genie Industries. "Genie" and "DPL" are Registered Trademarks of Genie Industries in the USA and many other countries. "Super Series" is a Trademark of Genie Industries. Genie is the owner of US Patent 6,095,286 and Patents Pending. 5/13/02